

## European Cylindrical Style AG10 690V: 0.5-32A



### Description

Chordn gG fuse-links cover a wide range of physical sizes and ampere ratings for 690VAC for protection in electrical distribution circuits and various industrial applications. Most ratings are available in size 10x38 with an optional indicator, size 10x38 is also available with striker. All cylindrical fuse-links have ceramic bodies and silver-plated contacts. Cylindrical fuse-links gG are used for the protection of cables, motors and LV-networks.

### Ratings

Volts: 690 VAC  
Amps: 0.5 - 32 A  
I.R. AC: 100 kA  
Speed/Characteristic: gG  
Body Style: Cylindrical  
Material Body: Ceramic  
Contact Materials: Silver plated copper  
Environmental RoHS Compliant

### Standards

I EC 60269-1  
I EC 60269-2

### Features and Benefits

Reduced size  
Full range protection  
Visual indication of fuse operation  
Safest and most reliable protection system

### Typical Applications

gG type for protection of line, cable against overload and short circuit in various industrial application and electrical distribution circuits.

## European Cylindrical Style AG10 690V: 0.5-32A

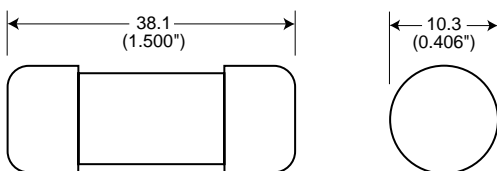
### Catalog Numbers

Electrical Characteristics			Ordering Information			Dimensions
Size	Rated Current	Watts Loss	Part number Without indicator	Part number With indicator	Carton qty	Figure Number
10 x 38mm ( $\frac{3}{8}$ " x 1 $\frac{1}{2}$ " )	0.5	0.60W	AG10-0.5A	AG10-0.5AI	10	Fig.1
	1	0.70W	AG10-1A	AG10-1AI		
	1.5	0.72W	AG10-1.5A	AG10-1.5AI		
	2	0.75W	AG10-2A	AG10-2AI		
	4	0.85W	AG10-4A	AG10-4AI		
	6	1.00W	AG10-6A	AG10-6AI		
	8	1.30W	AG10-8A	AG10-8AI		
	10	1.43W	AG10-10A	AG10-10AI		
	12	1.60W	AG10-12A	AG10-12AI		
	16	2.00W	AG10-16A	AG10-16AI		
	20	2.60W	AG10-20A	AG10-20AI		
	25	2.77W	AG10-25A	AG10-25AI		
	32	2.90W	AG10-32A	AG10-32AI		

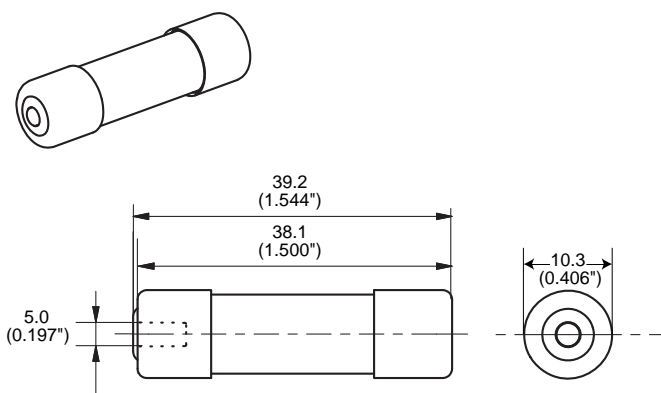
- Watts loss provided at rated current.
- CE Component Acceptance: 0.5 - 32A.

### Dimensions

#### Without Striker



#### With Striker



Dimension in mm.  
1mm = 0.0394" 1" = 25.4mm

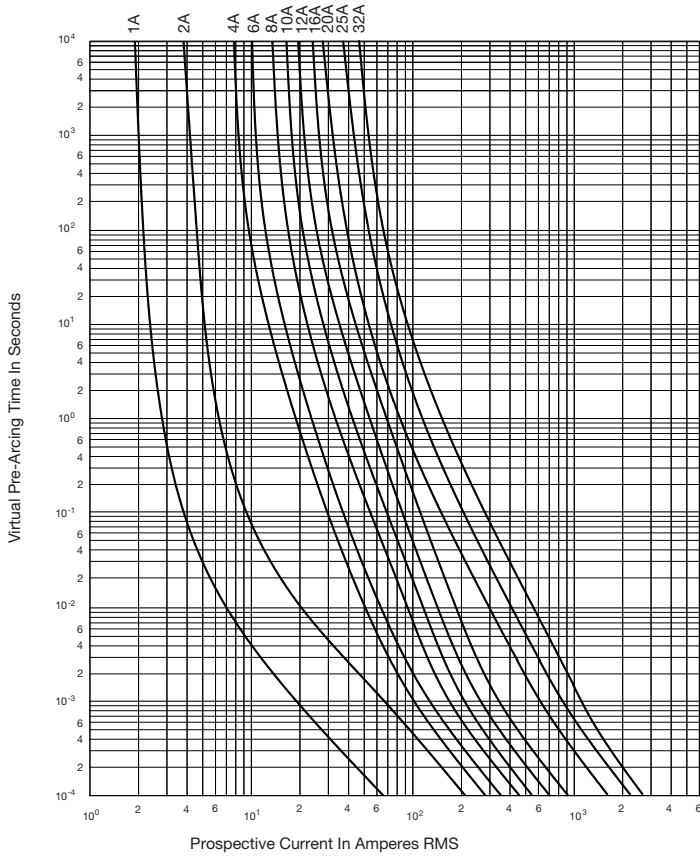
Fig.1

**CHORDN** Low voltage general purpose fuses

**European Cylindrical Style AG10 690V: 0.5-32A**

**AG10 690V: 0.5-32A**

Time-Current Curve



Peak Let-Through Curve

