

European Cylindrical Style AG14 690V: 2-50A



Description

Chordn gG fuse-links cover a wide range of physical sizes and ampere ratings for 690VAC for protection in electrical distribution circuits and various industrial applications. Most ratings are available in size 14x51 with an optional indicator, size 14x51 is also available with striker. All cylindrical fuse-links have ceramic bodies and silver-plated contacts. Cylindrical fuse-links gG are used for the protection of cables, motors and LV-networks.

Ratings

Volts: 690 VAC

Amps: 2 - 50 A

I.R. AC: 100 kA

Speed/Characteristic: gG

Body Style: Cylindrical

Material Body: Ceramic

Contact Materials: Silver plated copper

Environmental RoHS Compliant

Standards

I EC 60269-1

I EC 60269-2

Features and Benefits

Reduced size

Full range protection

Visual indication of fuse operation

Safest and most reliable protection system

Typical Applications

gG type for protection of line, cable against overload and short circuit in various industrial application and electrical distribution circuits.

European Cylindrical Style AG14 690V: 2-50A

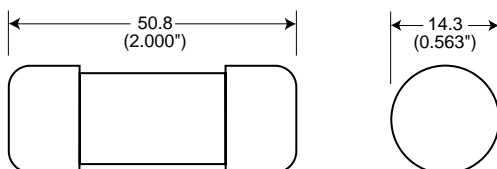
Catalog Numbers

Electrical Characteristics			Ordering Information			Dimensions
Size	Rated Current	Watts Loss	Part number Without indicator	Part number With indicator	Carton qty	Figure Number
14 x 51mm ($\frac{9}{16}$ " x 2")	2	0.90W	AG14-2A	AG14-2AI	10	Fig.1
	4	1.00W	AG14-4A	AG14-4AI		
	6	1.10W	AG14-6A	AG14-6AI		
	8	1.15W	AG14-8A	AG14-8AI		
	10	1.30W	AG14-10A	AG14-10AI		
	12	1.70W	AG14-12A	AG14-12AI		
	16	2.00W	AG14-16A	AG14-16AI		
	20	2.50W	AG14-20A	AG14-20AI		
	25	3.30W	AG14-25A	AG14-25AI		
	32	3.50W	AG14-32A	AG14-32AI		
	40	4.85W	AG14-40A	AG14-40AI		
50	4.90W	AG14-50A	AG14-50AI			

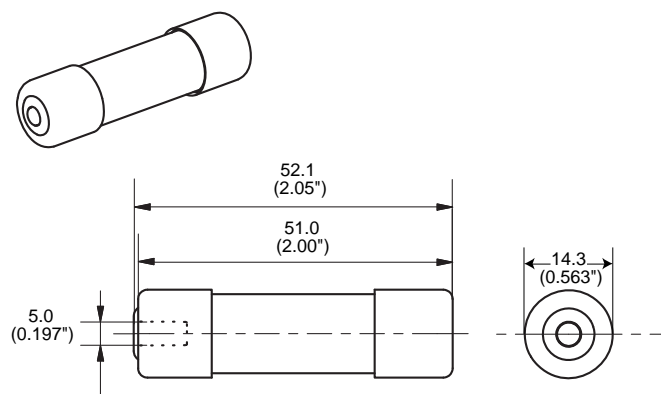
- Watts loss provided at rated current.
- CE Component Acceptance: 2 - 50A.

Dimensions

Without Striker



With Striker



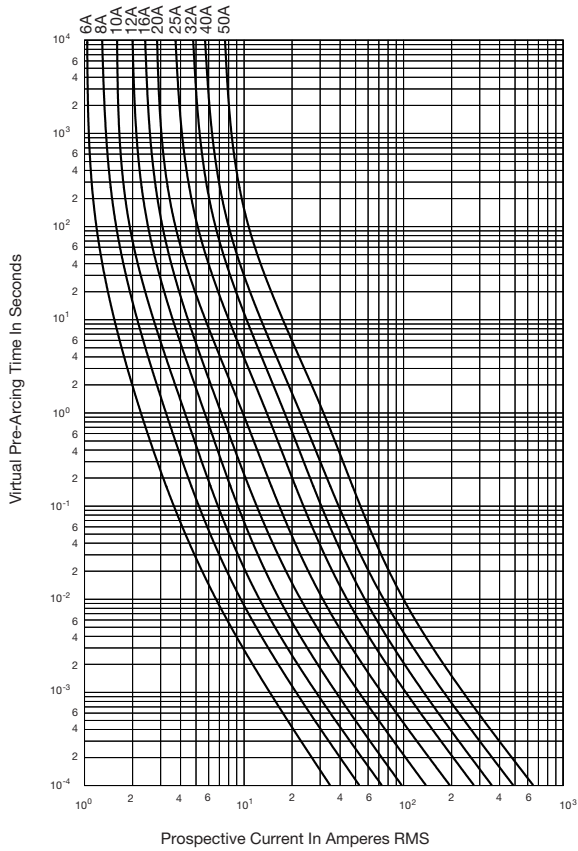
Dimension in mm.
1mm = 0.0394" 1" = 25.4mm

Fig.1

European Cylindrical Style AG14 690V: 2-50A

AG14 690V: 2-50A

Time-Current Curve



Peak Let-Through Curve

