

## European Cylindrical Style AM10 690V: 0.5-32A



### Description

Chordn aM fuse-links cover a wide range of physical sizes and ampere ratings for 690VAC for protection in various transformers circuits and various industrial applications. Most ratings are available in size 10x38 with an optional indicator, size 10x38 is also available with striker. All cylindrical fuse-links have ceramic bodies and silver-plated contacts. Cylindrical fuse-links aM are used for the protection of motors.

### Ratings

Volts: 690 VAC  
Amps: 0.5 - 32 A  
I.R. AC: 100 kA  
Speed/Characteristic: aM  
Body Style: Cylindrical  
Material Body: Ceramic  
Contact Materials: Silver plated copper  
Environmental RoHS Compliant

### Standards

I EC 60269-1  
I EC 60269-2

### Features and Benefits

Reduced size  
Optional indicator  
Visual indication of fuse operation  
The safest and most reliable protection system

### Typical Applications

aM type for protection of motors, transformers and other loads with inrush currents.

## European Cylindrical Style AM10 690V: 0.5-32A

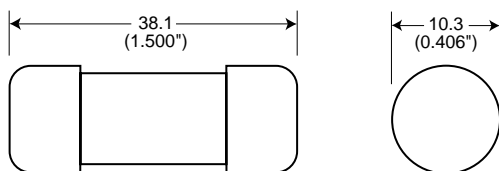
### Catalog Numbers

Electrical Characteristics			Ordering Information			Dimensions
Size	Rated Current	Watts Loss	Part number Without indicator	Part number With indicator	Carton qty	Figure Number
10 x 38mm ( $1\frac{1}{2}$ " x 1 $\frac{1}{2}$ " )	0.5	0.18W	AM10-0.5A	AM10-0.5AI	10	Fig.1
	1	0.24W	AM10-1A	AM10-1AI		
	1.5	0.30W	AM10-1.5A	AM10-1.5AI		
	2	0.32W	AM10-2A	AM10-2AI		
	4	0.36W	AM10-4A	AM10-4AI		
	6	0.49W	AM10-6A	AM10-6AI		
	8	0.52W	AM10-8A	AM10-8AI		
	10	0.55W	AM10-10A	AM10-10AI		
	12	0.63W	AM10-12A	AM10-12AI		
	16	0.92W	AM10-16A	AM10-16AI		
	20	0.96W	AM10-20A	AM10-20AI		
	25	1.40W	AM10-25A	AM10-25AI		
	32	1.80W	AM10-32A	AM10-32AI		

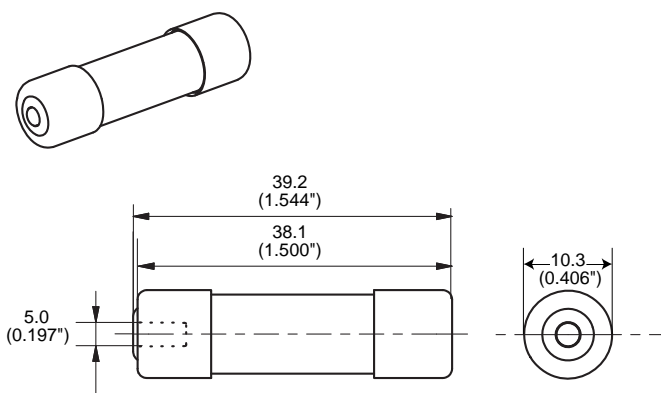
- Watts loss provided at rated current.
- CE Component Acceptance: 0.5 - 32A.

### Dimensions

#### Without Striker



#### With Striker



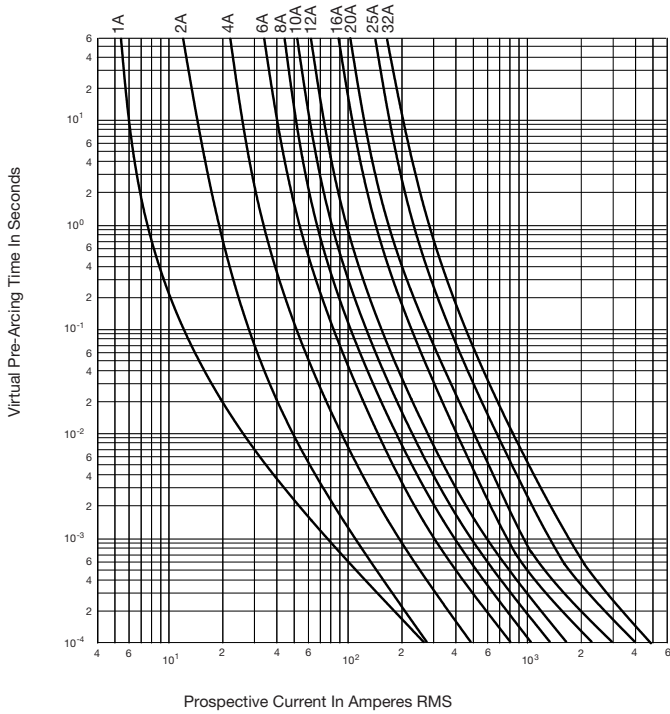
Dimension in mm.  
1mm = 0.0394" 1" = 25.4mm

Fig.1

**European Cylindrical Style AM10 690V: 0.5-32A**

**AM10 690V: 0.5-32A**

**Time-Current Curve**



**Peak Let-Through Curve**

