

European Cylindrical Style AM14 690V: 2-50A



Description

Chordn aM fuse-links cover a wide range of physical sizes and ampere ratings for 690VAC for protection in various transformers circuits and various industrial applications. Most ratings are available in size 14x51 with an optional indicator, size 14x51 is also available with striker. All cylindrical fuse-links have ceramic bodies and silver-plated contacts. Cylindrical fuse-links aM are used for the protection of motors.

Ratings

Volts: 690 VAC

Amps: 2 - 50 A

I.R. AC: 100 kA

Speed/Characteristic: aM

Body Style: Cylindrical

Material Body: Ceramic

Contact Materials: Silver plated copper

Environmental RoHS Compliant

Standards

I EC 60269-1

I EC 60269-2

Features and Benefits

Reduced size

Optional indicator

Visual indication of fuse operation

The safest and most reliable protection system

Typical Applications

aM type for protection of motors, transformers and other loads with inrush currents.

European Cylindrical Style AM14 690V: 2-50A

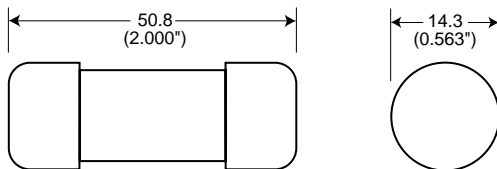
Catalog Numbers

Electrical Characteristics			Ordering Information			Dimensions
Size	Rated Current	Watts Loss	Part number Without indicator	Part number With indicator	Carton qty	Figure Number
14 x 51mm ($\frac{9}{16}$ " x 2")	2	0.24W	AM14-2A	AM14-2AI	10	Fig.1
	4	0.40W	AM14-4A	AM14-4AI		
	6	0.45W	AM14-6A	AM14-6AI		
	8	0.60W	AM14-8A	AM14-8AI		
	10	0.70W	AM14-10A	AM14-10AI		
	12	0.88W	AM14-12A	AM14-12AI		
	16	1.16W	AM14-16A	AM14-16AI		
	20	1.23W	AM14-20A	AM14-20AI		
	25	1.46W	AM14-25A	AM14-25AI		
	32	2.04W	AM14-32A	AM14-32AI		
	40	3.04W	AM14-40A	AM14-40AI		
50	3.34W	AM14-50A	AM14-50AI			

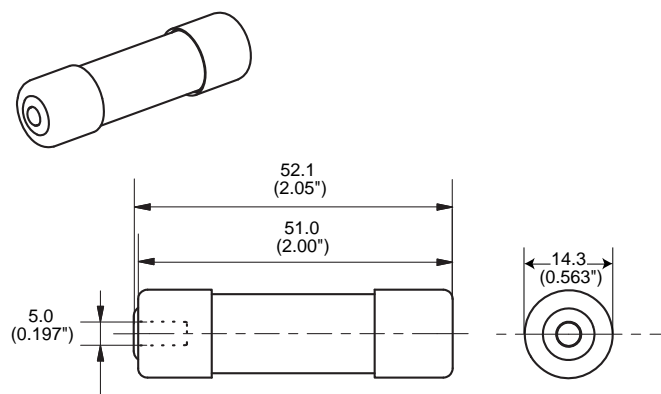
- Watts loss provided at rated current.
- CE Component Acceptance: 2 - 50A.

Dimensions

Without Striker



With Striker



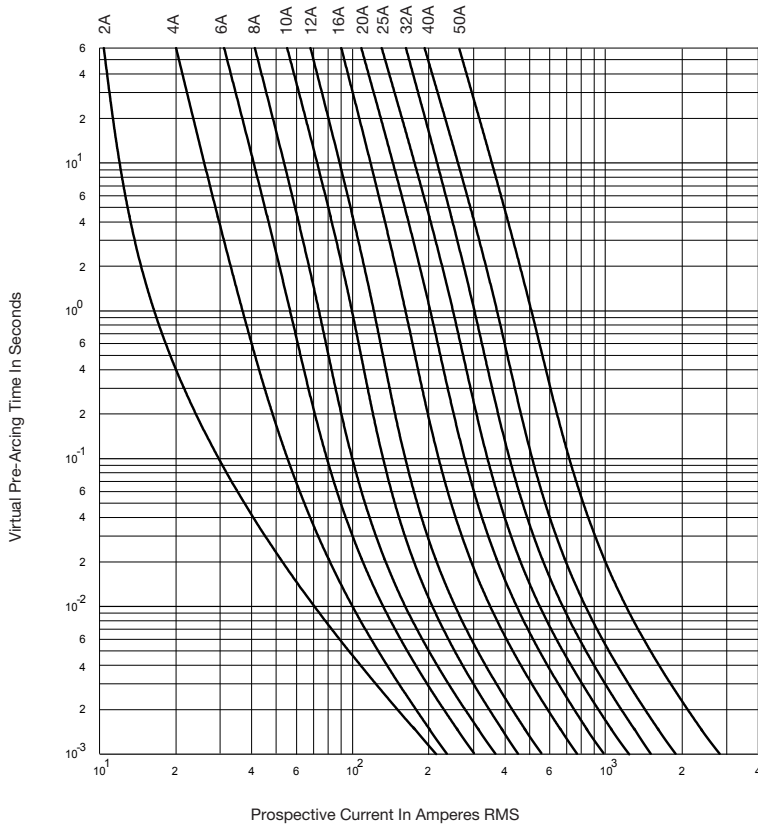
Dimension in mm.
1mm = 0.0394" 1" = 25.4mm

Fig.1

European Cylindrical Style AM14 690V: 2-50A

AM14 690V: 2-50A

Time-Current Curve



Peak Let-Through Curve

