

European Square Style AS17C 690V: 40-2000A



Description

The Chordn AS17C fuses have been engineered to provide state-of-the-art protection for SCR's, diodes, thyristors, GTO's and IGBT devices. They have pure silver, die-cut elements embedded in solidified sand, which helps control arcing characteristics for low I²t and high interrupting rating. All contact surfaces are silver plated and all hardware is non-magnetic. All fuse links are equipped with a low voltage trip-indicator. This trip-indicator can operate a field mountable microswitch which is easily mounted directly onto the fuse even while in service.

Ratings

Volts: 690 VAC
Amps: 40 - 2000 A
I.R. AC: 100KA/200KA
Speed/Characteristic: aR
Material Body: Ceramic
Caps: Copper Alloy (Silver Plated)
Environmental RoHS Compliant

Standards

IEC 60269-1
IEC 60269-4

Features and Benefits

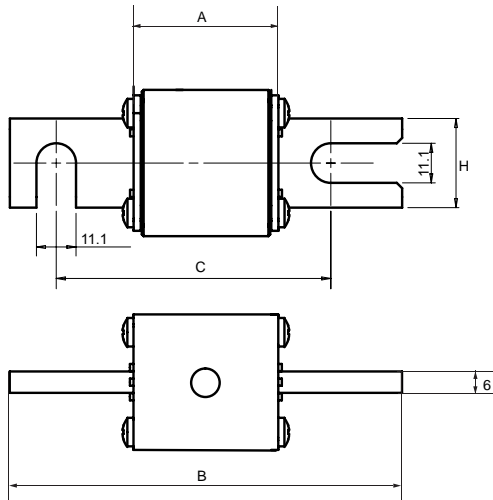
Multiple body sizes
aR Class according to IEC 60269-4
Very low I²t for improved semiconductor protection
Ultra fast acting
Superior cycling capability

Typical Applications

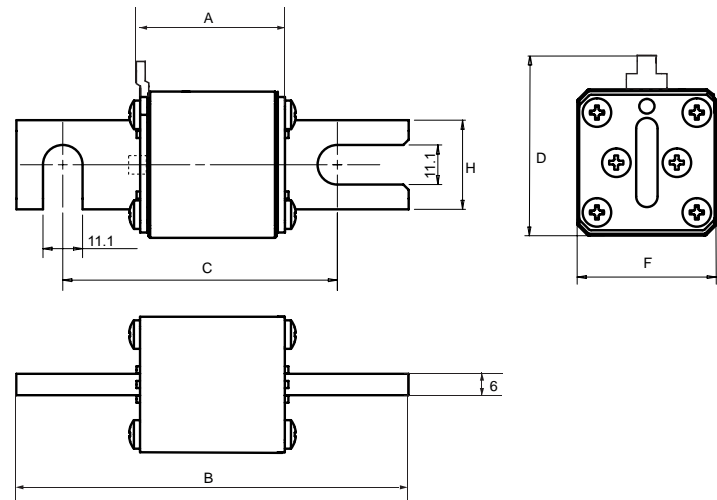
Protection of inverters, UPS systems, motor drives and similar 700V or less equipment.

European Square Style AS17C 690V: 40-2000A

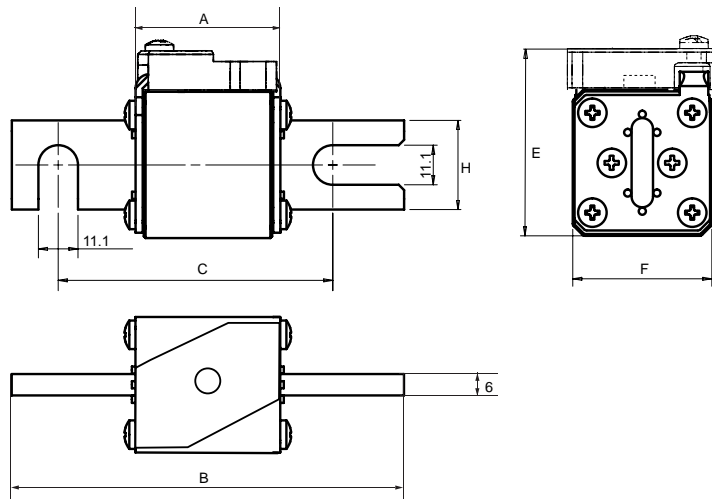
Visual Watts Indicator
Type -/80, -/110



Type T Indicator for Micro
Type TN-/80, -TN/110



Type K Indicator for Micro
Type -KN/80, -KN/110



Dimensions (mm)

Size	Amp	A	B	B1	C	C1	D	E	F	H
00	40-630A	50	104	134	78	108	58	59	43	20
01	200-900A	50	108	138	78	108	66	69	50	25
02	400-1250A	50	108	138	78	108	75	77	60	25
03	500-2000A	51	109	139	78	108	90	92	75	36

B1 and C1 Valid for fuse Type -/110, -TN/110, -KN/110.

1mm = 0.0394" / 1" = 25.4mm

European Square Style AS17C 690V: 40-2000A

Catalog Numbers

Electrical Characteristics					Ordering Information		
Size	Rated Current	Pre-arcing I ² t (A ² s)	Clearing I ² t @ Rated Voltage (A ² s)	Watts Loss	-/80 Visual watts indicator	-TN/80 Type T indicator for micro	-KN/80 Type K indicator for micro
00	40	40	270	9w	AS17C00-40AN	AS17C00-40AT	AS17C00-40A
	50	77	515	11W	AS17C00-50AN	AS17C00-50AT	AS17C00-50A
	63	115	770	14W	AS17C00-63AN	AS17C00-63AT	AS17C00-63A
	80	185	1250	18W	AS17C00-80AN	AS17C00-80AT	AS17C00-80A
	100	360	2450	21W	AS17C00-100AN	AS17C00-100AT	AS17C00-100A
	125	550	3700	26W	AS17C00-125AN	AS17C00-125AT	AS17C00-125A
	160	1100	7500	30W	AS17C00-160AN	AS17C00-160AT	AS17C00-160A
	200	2200	15000	35W	AS17C00-200AN	AS17C00-200AT	AS17C00-200A
	250	4200	28500	40W	AS17C00-250AN	AS17C00-250AT	AS17C00-250A
	315	7000	46500	50W	AS17C00-315AN	AS17C00-315AT	AS17C00-315A
	350	10000	68500	55W	AS17C00-350AN	AS17C00-350AT	AS17C00-350A
	400	15000	105000	60W	AS17C00-400AN	AS17C00-400AT	AS17C00-400A
	450	21000	140000	65W	AS17C00-450AN	AS17C00-450AT	AS17C00-450A
	500	27000	180000	70W	AS17C00-500AN	AS17C00-500AT	AS17C00-500A
	550	34000	230000	75W	AS17C00-550AN	AS17C00-550AT	AS17C00-550A
630	48500	325000	80W	AS17C00-630AN	AS17C00-630AT	AS17C00-630A	
01	200	1650	11500	45W	AS17C01-200AN	AS17C01-200AT	AS17C01-200A
	250	3100	21000	55W	AS17C01-250AN	AS17C01-250AT	AS17C01-250A
	315	6200	42000	58W	AS17C01-315AN	AS17C01-315AT	AS17C01-315A
	350	8500	59000	60W	AS17C01-350AN	AS17C01-350AT	AS17C01-350A
	400	13500	91500	65W	AS17C01-400AN	AS17C01-400AT	AS17C01-400A
	450	17000	120000	70W	AS17C01-450AN	AS17C01-450AT	AS17C01-450A
	500	25000	170000	72W	AS17C01-500AN	AS17C01-500AT	AS17C01-500A
	550	34000	230000	75W	AS17C01-550AN	AS17C01-550AT	AS17C01-550A
	630	52000	350000	80W	AS17C01-630AN	AS17C01-630AT	AS17C01-630A
	700	68500	465000	85W	AS17C01-700AN	AS17C01-700AT	AS17C01-700A
800	105000	725000	95W	AS17C01-800AN	AS17C01-800AT	AS17C01-800A	
900	155000	850000	100W	AS17C01-900AN	AS17C01-900AT	AS17C01-900A	
02	400	11000	74000	65W	AS17C02-400AN	AS17C02-400AT	AS17C02-400A
	450	15500	105000	70W	AS17C02-450AN	AS17C02-450AT	AS17C02-450A
	500	21500	145000	75W	AS17C02-500AN	AS17C02-500AT	AS17C02-500A
	550	28000	190000	80W	AS17C02-550AN	AS17C02-550AT	AS17C02-550A
	630	41000	275000	90W	AS17C02-630AN	AS17C02-630AT	AS17C02-630A
	700	60500	405000	95W	AS17C02-700AN	AS17C02-700AT	AS17C02-700A
	800	86000	575000	105W	AS17C02-800AN	AS17C02-800AT	AS17C02-800A
	900	125000	840000	110W	AS17C02-900AN	AS17C02-900AT	AS17C02-900A
	1000	180000	1250000	115W	AS17C02-1000AN	AS17C02-1000AT	AS17C02-1000A
	1100	245000	1600000	120W	AS17C02-1100AN	AS17C02-1100AT	AS17C02-1100A
1250	365000	2400000	130W	AS17C02-1250AN	AS17C02-1250AT	AS17C02-1250A	
03	500	14000	95000	95W	AS17C03-500AN	AS17C03-500AT	AS17C03-500A
	550	19500	135000	100W	AS17C03-550AN	AS17C03-550AT	AS17C03-550A
	630	31000	210000	105W	AS17C03-630AN	AS17C03-630AT	AS17C03-630A
	700	44500	300000	110W	AS17C03-700AN	AS17C03-700AT	AS17C03-700A
	800	69500	465000	115W	AS17C03-800AN	AS17C03-800AT	AS17C03-800A
	900	100000	670000	120W	AS17C03-900AN	AS17C03-900AT	AS17C03-900A
	1000	140000	845000	125W	AS17C03-1000AN	AS17C03-1000AT	AS17C03-1000A
	1100	190000	1300000	130W	AS17C03-1100AN	AS17C03-1100AT	AS17C03-1100A
	1250	290000	1950000	140W	AS17C03-1250AN	AS17C03-1250AT	AS17C03-1250A
	1400	370000	2450000	155W	AS17C03-1400AN	AS17C03-1400AT	AS17C03-1400A
	1500	460000	3100000	160W	AS17C03-1500AN	AS17C03-1500AT	AS17C03-1500A
	1600	580000	3900000	160W	AS17C03-1600AN	AS17C03-1600AT	AS17C03-1600A
1800	880000	5250000	165W	AS17C03-1800AN	AS17C03-1800AT	AS17C03-1800A	
2000	1150000	6350000	175W	AS17C03-2000AN	AS17C03-2000AT	AS17C03-2000A	

- Interrupting rating 100KA RMS Symmetrical. Please contact us if you need interrupting rating 200KA.
- Watts loss provided at rated current.
- CE Component Acceptance: 40 - 2000A.

European Square Style AS17C 690V: 40-2000A

Catalog Numbers

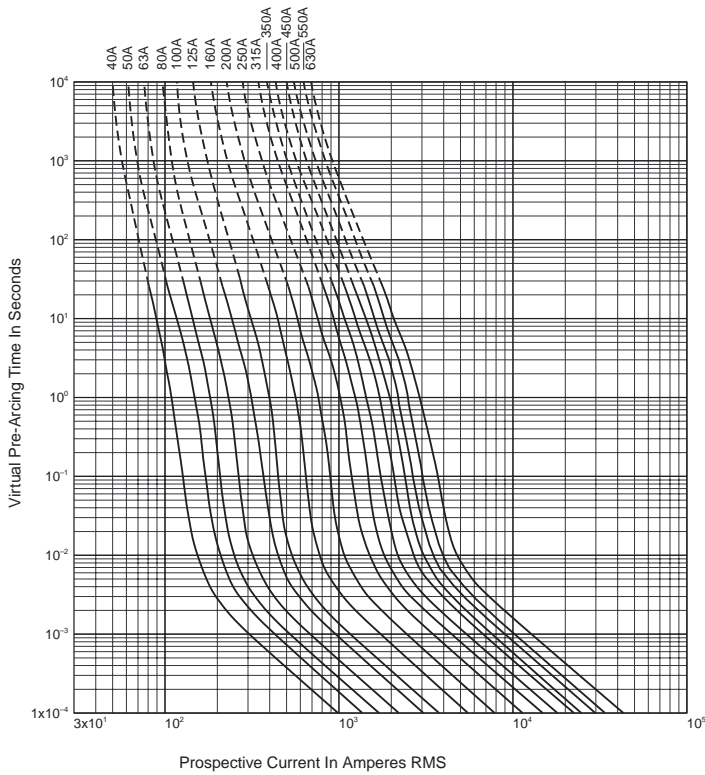
Electrical Characteristics					Ordering Information		
Size	Rated Current	Pre-arcing I ² t (A ² s)	Clearing I ² t @ Rated Voltage (A ² s)	Watts Loss	-/110 Visual watts indicator	-TN/110 Type T indicator for micro	-KN/110 Type K indicator for micro
00	40	40	270	9w	AS17C100-40AN	AS17C100-40AT	AS17C100-40A
	50	77	515	11W	AS17C100-50AN	AS17C100-50AT	AS17C100-50A
	63	115	770	14W	AS17C100-63AN	AS17C100-63AT	AS17C100-63A
	80	185	1250	18W	AS17C100-80AN	AS17C100-80AT	AS17C100-80A
	100	360	2450	21W	AS17C100-100AN	AS17C100-100AT	AS17C100-100A
	125	550	3700	26W	AS17C100-125AN	AS17C100-125AT	AS17C100-125A
	160	1100	7500	30W	AS17C100-160AN	AS17C100-160AT	AS17C100-160A
	200	2200	15000	35W	AS17C100-200AN	AS17C100-200AT	AS17C100-200A
	250	4200	28500	40W	AS17C100-250AN	AS17C100-250AT	AS17C100-250A
	315	7000	46500	50W	AS17C100-315AN	AS17C100-315AT	AS17C100-315A
	350	10000	68500	55W	AS17C100-350AN	AS17C100-350AT	AS17C100-350A
	400	15000	105000	60W	AS17C100-400AN	AS17C100-400AT	AS17C100-400A
	450	21000	140000	65W	AS17C100-450AN	AS17C100-450AT	AS17C100-450A
	500	27000	180000	70W	AS17C100-500AN	AS17C100-500AT	AS17C100-500A
	550	34000	230000	75W	AS17C100-550AN	AS17C100-550AT	AS17C100-550A
630	48500	325000	80W	AS17C100-630AN	AS17C100-630AT	AS17C100-630A	
01	200	1650	11500	45W	AS17C101-200AN	AS17C101-200AT	AS17C101-200A
	250	3100	21000	55W	AS17C101-250AN	AS17C101-250AT	AS17C101-250A
	315	6200	42000	58W	AS17C101-315AN	AS17C101-315AT	AS17C101-315A
	350	8500	59000	60W	AS17C101-350AN	AS17C101-350AT	AS17C101-350A
	400	13500	91500	65W	AS17C101-400AN	AS17C101-400AT	AS17C101-400A
	450	17000	120000	70W	AS17C101-450AN	AS17C101-450AT	AS17C101-450A
	500	25000	170000	72W	AS17C101-500AN	AS17C101-500AT	AS17C101-500A
	550	34000	230000	75W	AS17C101-550AN	AS17C101-550AT	AS17C101-550A
	630	52000	350000	80W	AS17C101-630AN	AS17C101-630AT	AS17C101-630A
	700	68500	465000	85W	AS17C101-700AN	AS17C101-700AT	AS17C101-700A
800	105000	725000	95W	AS17C101-800AN	AS17C101-800AT	AS17C101-800A	
900	155000	850000	100W	AS17C101-900AN	AS17C101-900AT	AS17C101-900A	
02	400	11000	74000	65W	AS17C102-400AN	AS17C102-400AT	AS17C102-400A
	450	15500	105000	70W	AS17C102-450AN	AS17C102-450AT	AS17C102-450A
	500	21500	145000	75W	AS17C102-500AN	AS17C102-500AT	AS17C102-500A
	550	28000	190000	80W	AS17C102-550AN	AS17C102-550AT	AS17C102-550A
	630	41000	275000	90W	AS17C102-630AN	AS17C102-630AT	AS17C102-630A
	700	60500	405000	95W	AS17C102-700AN	AS17C102-700AT	AS17C102-700A
	800	86000	575000	105W	AS17C102-800AN	AS17C102-800AT	AS17C102-800A
	900	125000	840000	110W	AS17C102-900AN	AS17C102-900AT	AS17C102-900A
	1000	180000	1250000	115W	AS17C102-1000AN	AS17C102-1000AT	AS17C102-1000A
	1100	245000	1600000	120W	AS17C102-1100AN	AS17C102-1100AT	AS17C102-1100A
1250	365000	2400000	130W	AS17C102-1250AN	AS17C102-1250AT	AS17C102-1250A	
03	500	14000	95000	95W	AS17C103-500AN	AS17C103-500AT	AS17C103-500A
	550	19500	135000	100W	AS17C103-550AN	AS17C103-550AT	AS17C103-550A
	630	31000	210000	105W	AS17C103-630AN	AS17C103-630AT	AS17C103-630A
	700	44500	300000	110W	AS17C103-700AN	AS17C103-700AT	AS17C103-700A
	800	69500	465000	115W	AS17C103-800AN	AS17C103-800AT	AS17C103-800A
	900	100000	670000	120W	AS17C103-900AN	AS17C103-900AT	AS17C103-900A
	1000	140000	845000	125W	AS17C103-1000AN	AS17C103-1000AT	AS17C103-1000A
	1100	190000	1300000	130W	AS17C103-1100AN	AS17C103-1100AT	AS17C103-1100A
	1250	290000	1950000	140W	AS17C103-1250AN	AS17C103-1250AT	AS17C103-1250A
	1400	370000	2450000	155W	AS17C103-1400AN	AS17C103-1400AT	AS17C103-1400A
	1500	460000	3100000	160W	AS17C103-1500AN	AS17C103-1500AT	AS17C103-1500A
	1600	580000	3900000	160W	AS17C103-1600AN	AS17C103-1600AT	AS17C103-1600A
	1800	880000	5250000	165W	AS17C103-1800AN	AS17C103-1800AT	AS17C103-1800A
2000	1150000	6350000	175W	AS17C103-2000AN	AS17C103-2000AT	AS17C103-2000A	

- Interrupting rating 100KA RMS Symmetrical. Please contact us if you need interrupting rating 200KA.
- Watts loss provided at rated current.
- CE Component Acceptance: 40 - 2000A.

European Square Style AS17C 690V: 40-2000A

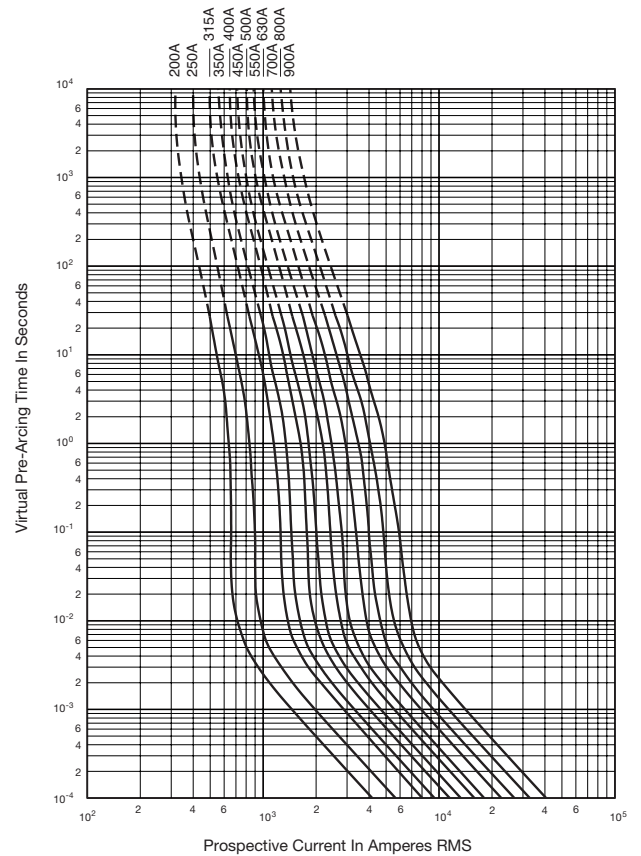
00 size 690V: 40-630A

Time-Current Curve

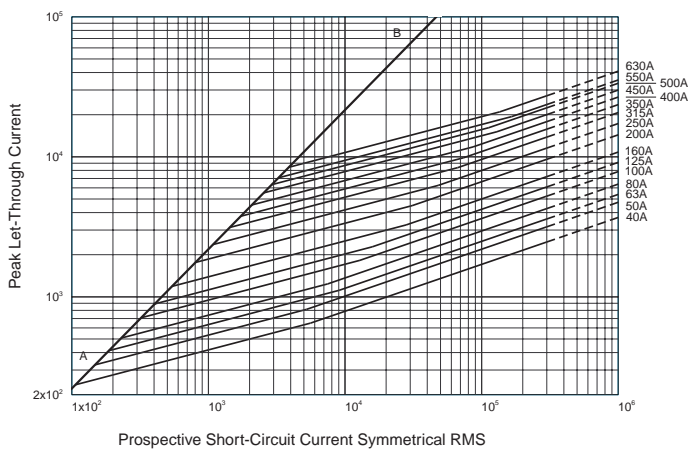


01 size 690V: 200-900A

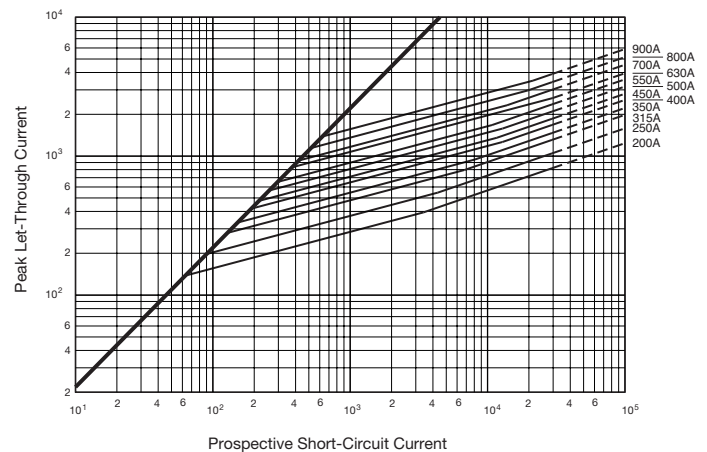
Time-Current Curve



Peak Let-Through Curve



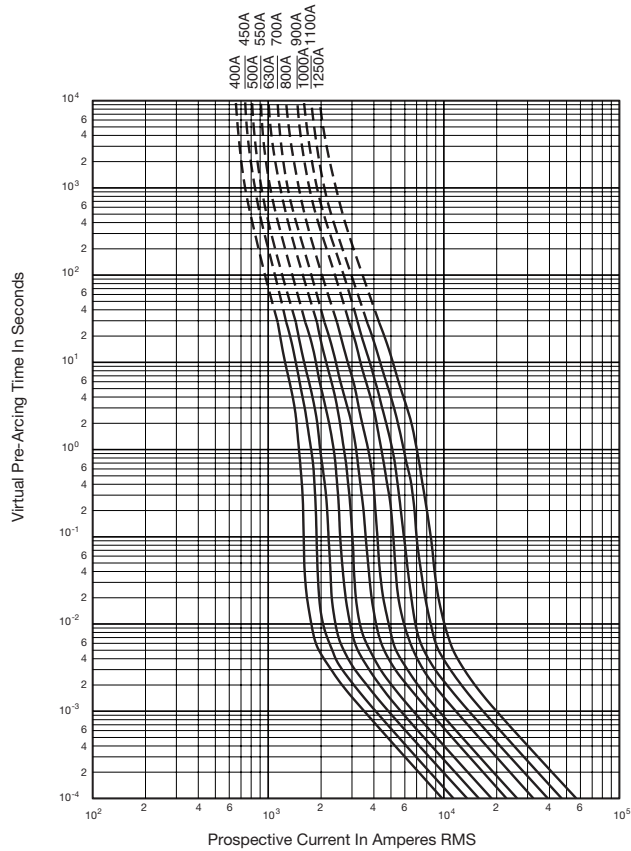
Peak Let-Through Curve



European Square Style AS17C 690V: 40-2000A

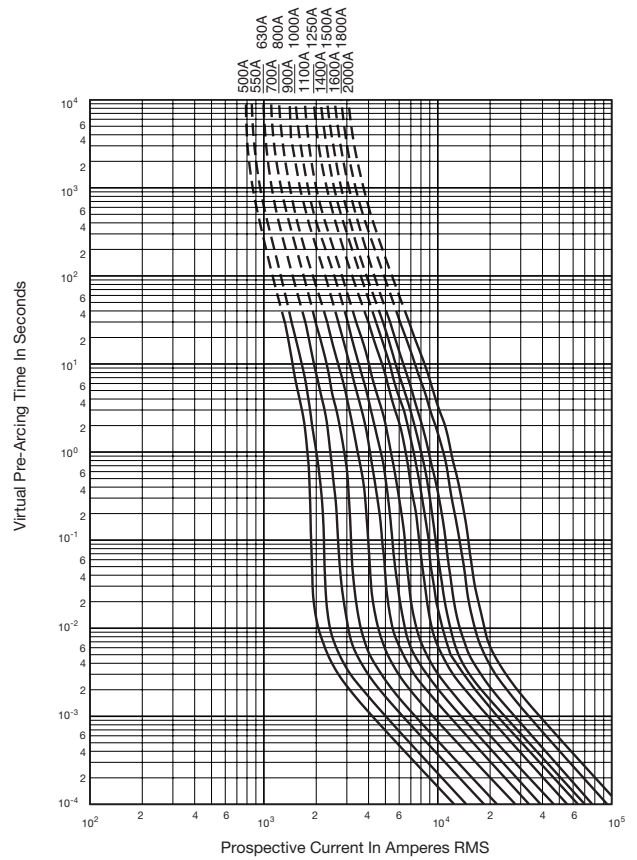
02 size 690V: 400-1250A

Time-Current Curve

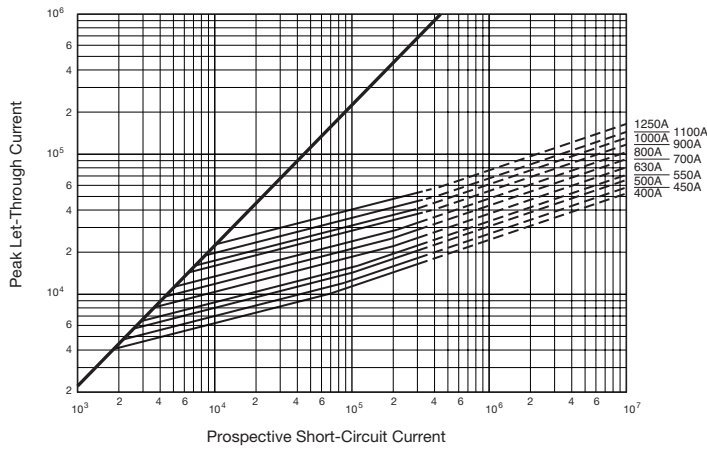


03 size 690V: 500-2000A

Time-Current Curve



Peak Let-Through Curve



Peak Let-Through Curve

