

European Square Style AS17D 690V: 40-4000A



Description

The Chordn AS17D fuses have been engineered to provide state-of-the-art protection for SCR's, diodes, thyristors, GTO's and IGBT devices. They have pure silver, die-cut elements embedded in solidified sand, which helps control arcing characteristics for low I^2t and high interrupting rating. All contact surfaces are silver plated and all hardware is non-magnetic. All fuse links are equipped with a low voltage trip-indicator. This trip-indicator can operate a field mountable microswitch which is easily mounted directly onto the fuse even while in service.

Ratings

Volts: 690 VAC
Amps: 40 - 2000 A
I.R. AC: 100KA/200KA
Speed/Characteristic: aR
Material Body: Ceramic
Caps: Copper Alloy (Silver Plated)
Environmental RoHS Compliant

Standards

IEC 60269-1
IEC 60269-4

Features and Benefits

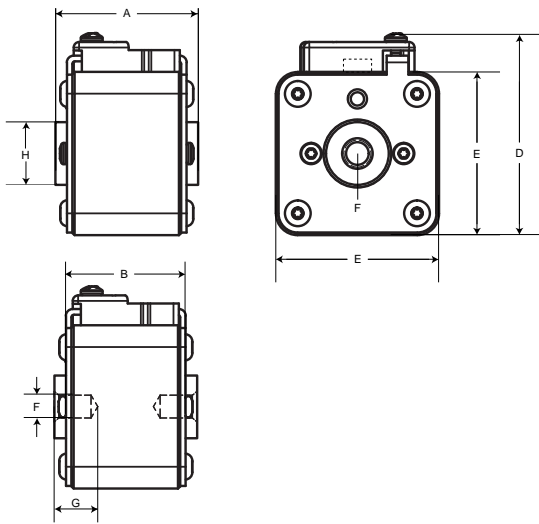
Multiple body sizes
aR Class according to IEC 60269-4
Very low I^2t for improved semiconductor protection
Ultra fast acting
Superior cycling capability

Typical Applications

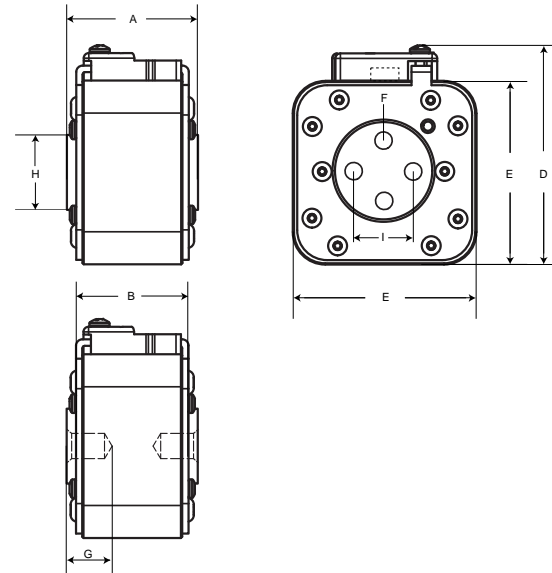
Protection of inverters, UPS systems, motor drives and similar 700V or less equipment.

European Square Style AS17D 690V: 40-4000A

00, 01, 02, 03 size



04 size



Dimensions (mm)

Size	Amp	A	B	D	E	F	G	H	I
00	40-630A	51	45	59	45	M8	5	17	--
01	200-900A	51	45	69	53	M8	8	20	--
02	400-1250A	51	46	77	61	M10	10	24	--
03	500-2000A	53	47	92	76	M12	12	30	--
04	1000-4000A	67	53	120	105	4xM10	10	56	38

1mm = 0.0394" / 1" = 25.4mm

European Square Style AS17D 690V: 40-4000A

Catalog Numbers

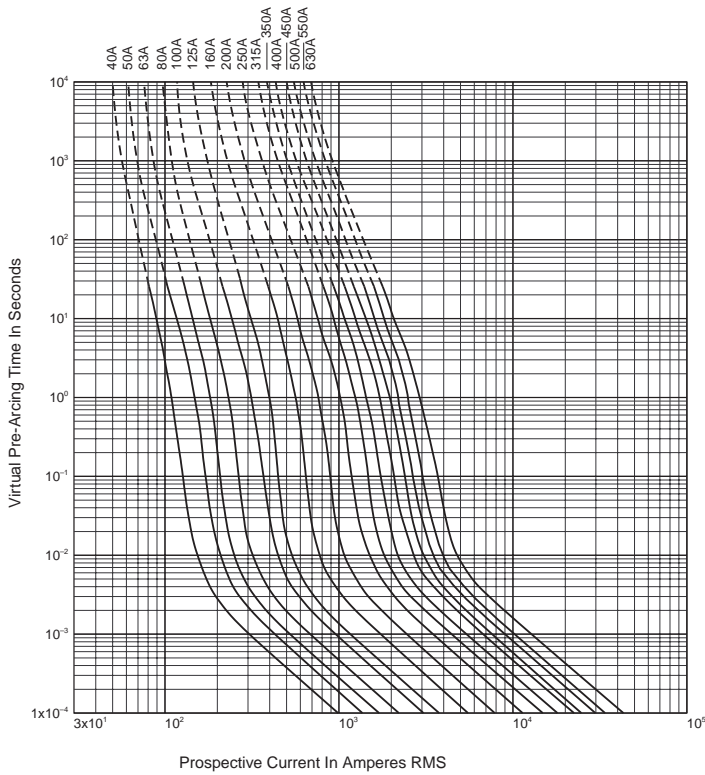
Electrical Characteristics					Ordering Information
Size	Rated Current	Pre-arcing I ² t (A ² s)	Clearing I ² t @ Rated Voltage (A ² s)	Watts Loss	Part number
00	40	40	270	9w	AS17D00-40A
	50	77	515	11W	AS17D00-50A
	63	115	770	14W	AS17D00-63A
	80	185	1250	18W	AS17D00-80A
	100	360	2450	21W	AS17D00-100A
	125	550	3700	26W	AS17D00-125A
	160	1100	7500	30W	AS17D00-160A
	200	2200	15000	35W	AS17D00-200A
	250	4200	28500	40W	AS17D00-250A
	315	7000	46500	50W	AS17D00-315A
	350	10000	68500	55W	AS17D00-350A
	400	15000	105000	60W	AS17D00-400A
	450	21000	140000	65W	AS17D00-450A
	500	27000	180000	70W	AS17D00-500A
	550	34000	230000	75W	AS17D00-550A
630	48500	325000	80W	AS17D00-630A	
01	200	1650	11500	45W	AS17D01-200A
	250	3100	21000	55W	AS17D01-250A
	315	6200	42000	58W	AS17D01-315A
	350	8500	59000	60W	AS17D01-350A
	400	13500	91500	65W	AS17D01-400A
	450	17000	120000	70W	AS17D01-450A
	500	25000	170000	72W	AS17D01-500A
	550	34000	230000	75W	AS17D01-550A
	630	52000	350000	80W	AS17D01-630A
	700	68500	465000	85W	AS17D01-700A
800	105000	725000	95W	AS17D01-800A	
900	155000	850000	100W	AS17D01-900A	
02	400	11000	74000	65W	AS17D02-400A
	450	15500	105000	70W	AS17D02-450A
	500	21500	145000	75W	AS17D02-500A
	550	28000	190000	80W	AS17D02-550A
	630	41000	275000	90W	AS17D02-630A
	700	60500	405000	95W	AS17D02-700A
	800	86000	575000	105W	AS17D02-800A
	900	125000	840000	110W	AS17D02-900A
	1000	180000	1250000	115W	AS17D02-1000A
	1100	245000	1600000	120W	AS17D02-1100A
1250	365000	2400000	130W	AS17D02-1250A	
03	500	14000	95000	95W	AS17D03-500A
	550	19500	135000	100W	AS17D03-550A
	630	31000	210000	105W	AS17D03-630A
	700	44500	300000	110W	AS17D03-700A
	800	69500	465000	115W	AS17D03-800A
	900	100000	670000	120W	AS17D03-900A
	1000	140000	845000	125W	AS17D03-1000A
	1100	190000	1300000	130W	AS17D03-1100A
	1250	290000	1950000	140W	AS17D03-1250A
	1400	370000	2450000	155W	AS17D03-1400A
	1500	460000	3100000	160W	AS17D03-1500A
	1600	580000	3900000	160W	AS17D03-1600A
	1800	880000	5250000	165W	AS17D03-1800A
2000	1150000	6350000	175W	AS17D03-2000A	
04	1000	76000	505000	175W	AS17D04-1000A
	1250	145000	965000	195W	AS17D04-1250A
	1400	205000	1400000	205W	AS17D04-1400A
	1600	305000	2050000	220W	AS17D04-1600A
	2000	600000	3950000	245W	AS17D04-2000A
	2500	1200000	7800000	275W	AS17D04-2500A
	3000	2000000	13500000	305W	AS17D04-3000A
	3500	3250000	22000000	325W	AS17D04-3500A
	4000	4700000	28000000	355W	AS17D04-4000A

- Interrupting rating 100KA RMS Symmetrical. Please contact us if you need interrupting rating 200KA.
- Watts loss provided at rated current.
- CE Component Acceptance: 40 - 4000A.

European Square Style AS17D 690V: 40-4000A

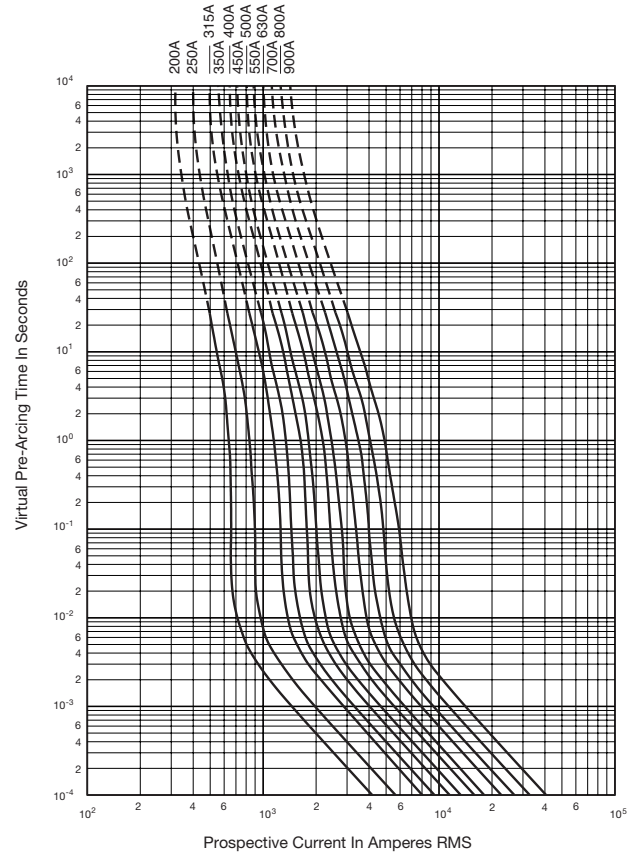
AS17D00 690V: 40-630A

Time-Current Curve

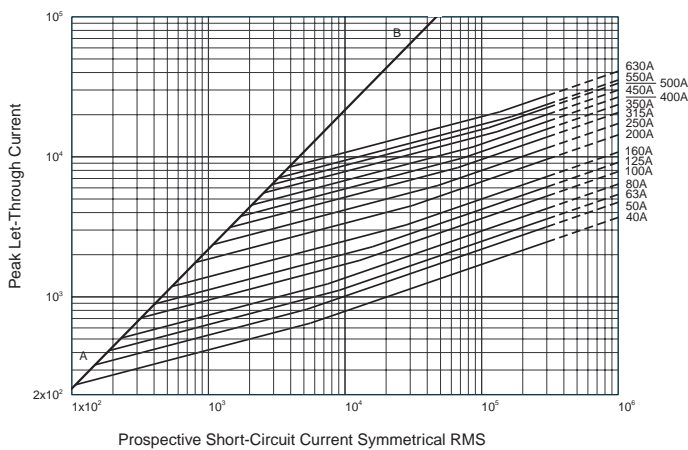


AS17D01 690V: 200-900A

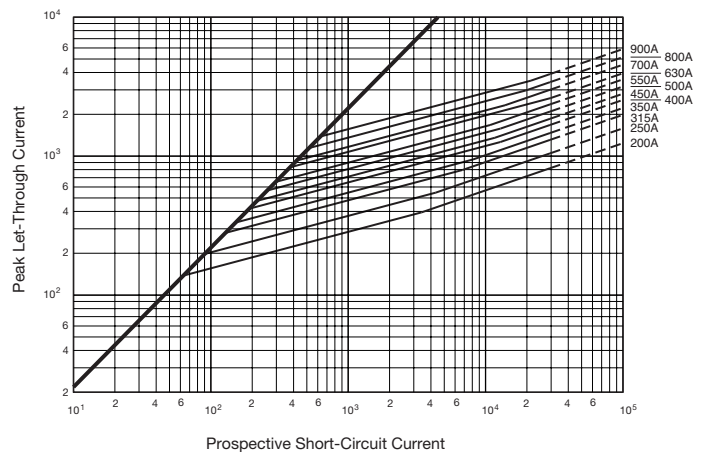
Time-Current Curve



Peak Let-Through Curve



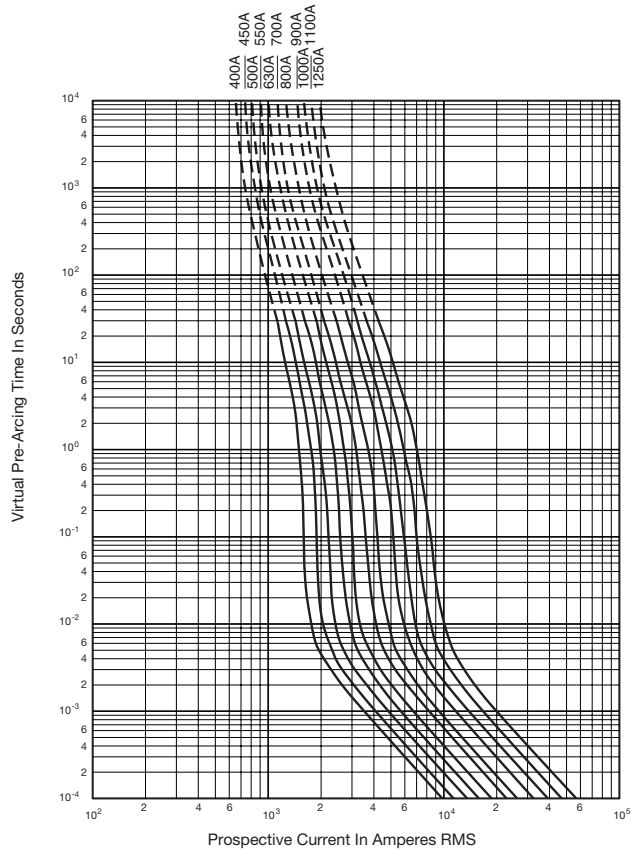
Peak Let-Through Curve



European Square Style AS17D 690V: 40-4000A

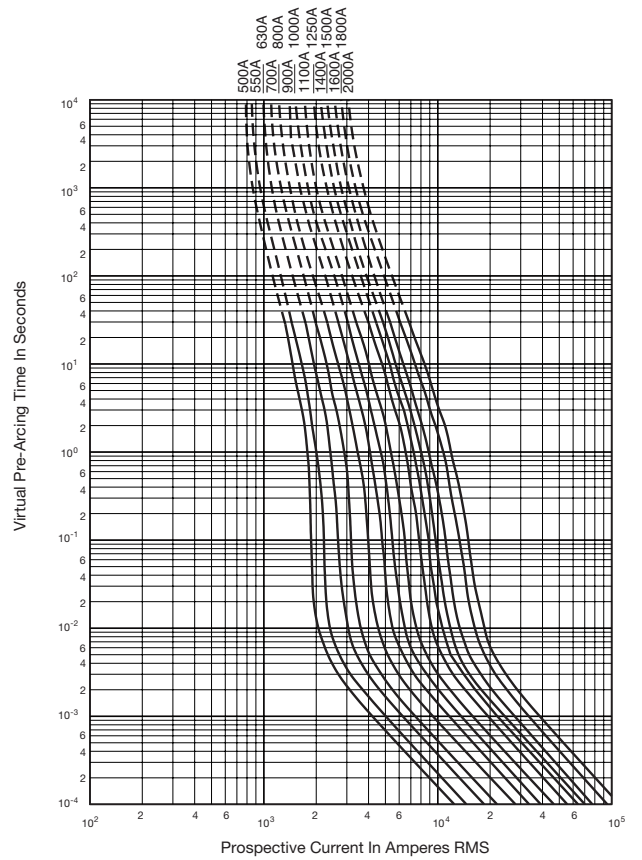
AS17D02 690V: 400-1250A

Time-Current Curve

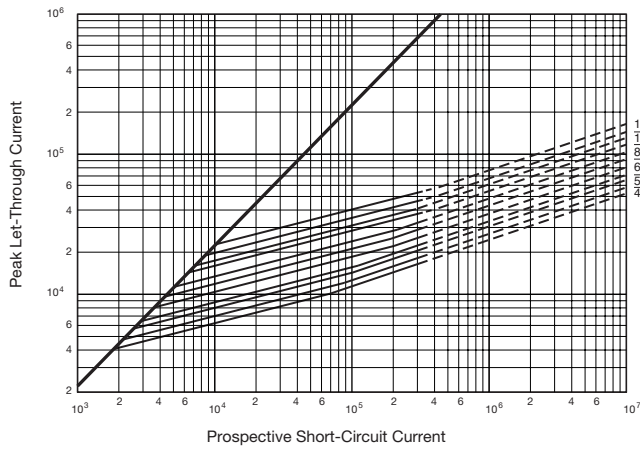


AS17D03 690V: 500-2000A

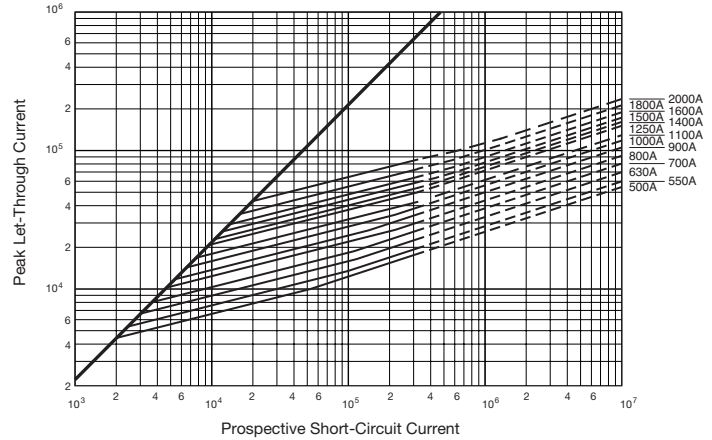
Time-Current Curve



Peak Let-Through Curve



Peak Let-Through Curve

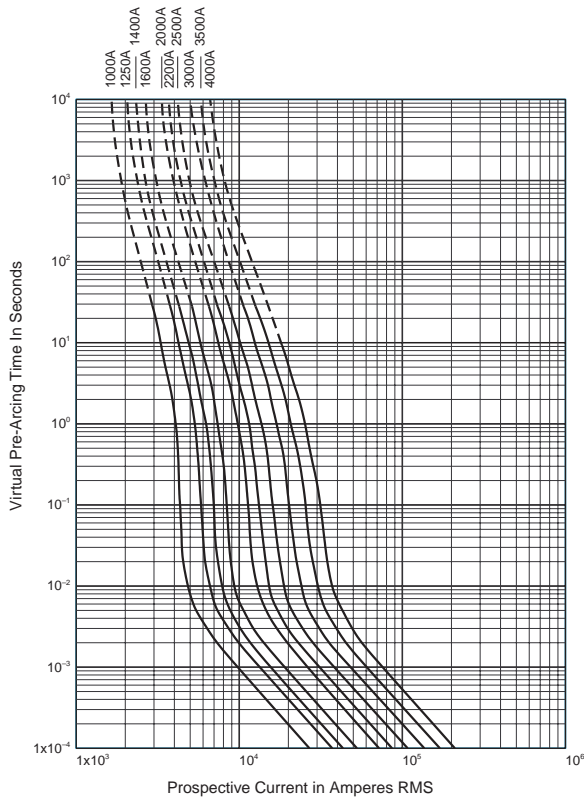


CHORDN Semiconductor fuses

European Square Style AS17D 690V: 40-4000A

AS17D04 690V: 1000-4000A

Time-Current Curve



Peak Let-Through Curve

