

European Square Style AS17E 690V: 10-400A



Description

The 690V Chordn fuse-links provide maximum flexibility in equipment design and ultimate protection for small power conversion equipment. These ultra-fast acting aR fuses have been engineered to provide state-of-the-art protection for semiconductors: diodes, thyristors and IGBT devices. They are assembled with die-cut elements embedded in solidified sand, which helps control arcing characteristics for a lower I^2t and high interrupting rating level. All contact surfaces are silver plated and all hardware is non-magnetic.

Ratings

Volts: 690 VAC
Amps: 10 -400 A
I.R. AC: 120KA/200KA
Speed/Characteristic: aR
Material Body: Ceramic
Caps: Copper Alloy (Silver Plated)
Environmental RoHS Compliant

Standards

IEC 60269-1
IEC 60269-4

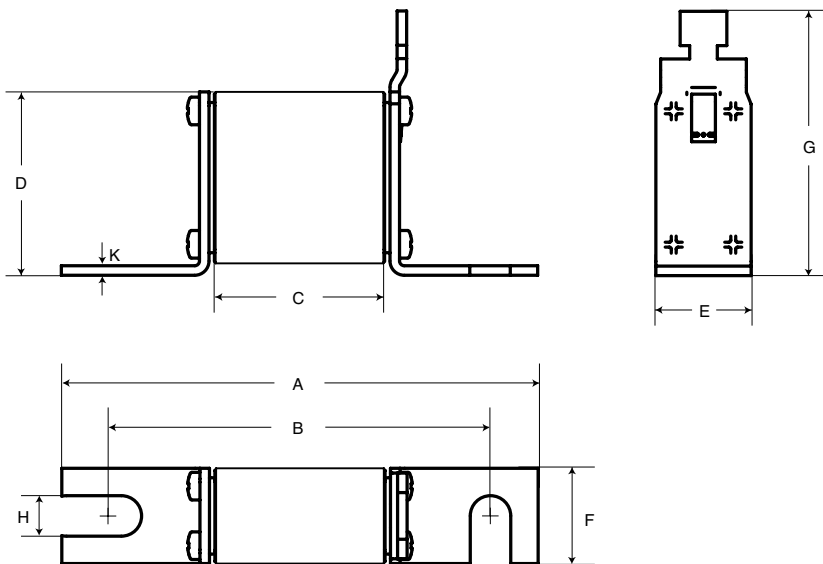
Features and Benefits

aR Class according to IEC 60269-4
Very low I^2t for improved semiconductor protection
Ultra fast acting
Superior cycling capability

Typical Applications

Protection of inverters, UPS systems, motor drives and similar 700V or less equipment.

European Square Style AS17E 690V: 10-400A



Dimensions (mm)

Size	Amp	A	B	C	D	E	F	G	H	K
01	10-315A	100	78	54	40	21	20	51	8	2
02	25-400A	100	78	54	51	30	28	67	10	2

1mm = 0.0394" / 1" = 25.4mm

European Square Style AS17E 690V: 10-400A

Catalog Numbers

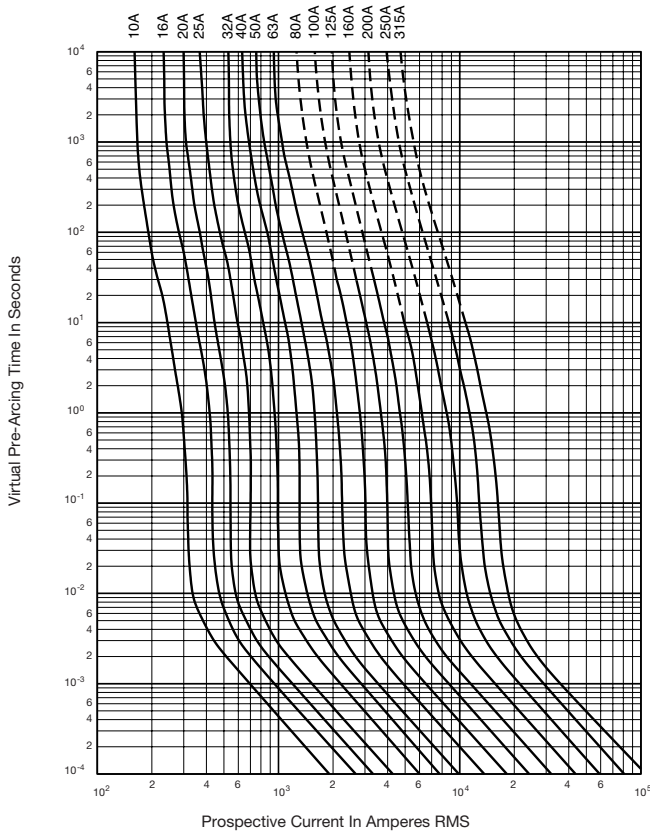
Electrical Characteristics					Ordering Information
Size	Rated Current	Pre-arcing I^2t (A ² s)	Clearing I^2t @ Rated Voltage (A ² s)	Watts Loss	Part number
01	10	3.8	25.5	3.0W	AS17E01-10A
	16	7.2	48	5.5W	AS17E01-16A
	20	11.5	78	7.0W	AS17E01-20A
	25	19	130	9.0W	AS17E01-25A
	32	40	270	10.0W	AS17E01-32A
	40	69	460	12.0W	AS17E01-40A
	50	115	770	15.0W	AS17E01-50A
	63	215	1450	16.0W	AS17E01-63A
	80	380	2550	19.0W	AS17E01-80A
	100	695	4650	24.0W	AS17E01-100A
	125	1200	8500	28.0W	AS17E01-125A
	160	2300	16000	32.0W	AS17E01-160A
	200	4200	28000	37.0W	AS17E01-200A
	250	7750	51500	42.0W	AS17E01-250A
	315	12000	80500	52.0W	AS17E01-315A
02	25	19	130	6.0W	AS17E02-25A
	32	28.5	195	7.0W	AS17E02-32A
	40	50	360	9.0W	AS17E02-40A
	50	95	640	10.0W	AS17E02-50A
	63	170	1200	12.0W	AS17E02-63A
	80	310	2100	15.0W	AS17E02-80A
	100	620	4150	20.0W	AS17E02-100A
	125	1000	6950	25.0W	AS17E02-125A
	160	1900	13000	30.0W	AS17E02-160A
	200	3400	23000	35.0W	AS17E02-200A
	250	6250	42000	45.0W	AS17E02-250A
	315	10000	68500	55.0W	AS17E02-315A
	350	13500	91500	60.0W	AS17E02-350A
	400	18000	125000	70.0W	AS17E02-400A

- Interrupting rating 120KA RMS Symmetrical. Please contact us if you need interrupting rating 200KA.
- Watts loss provided at rated current.
- CE Component Acceptance: 10 - 400A.

European Square Style AS17E 690V: 10-400A

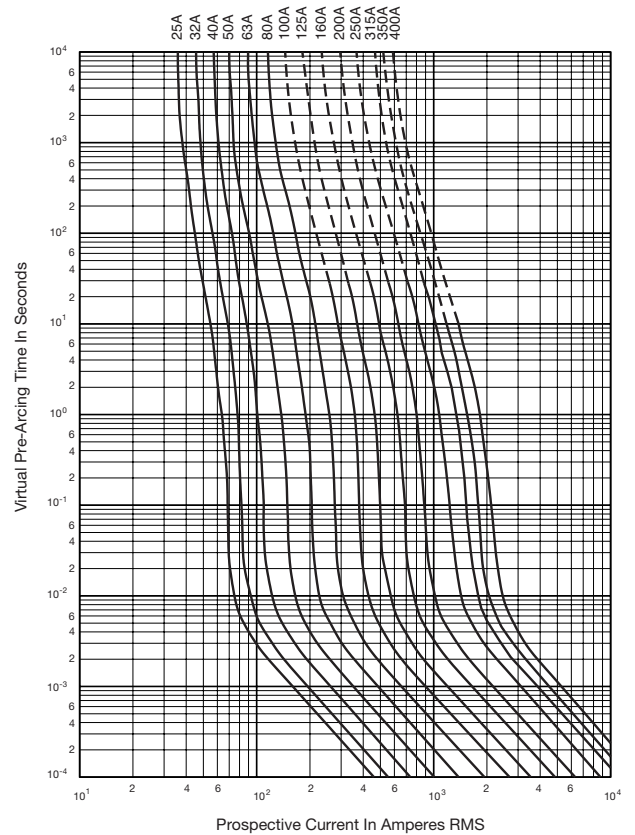
AS17E01 690V: 10-315A

Time-Current Curve

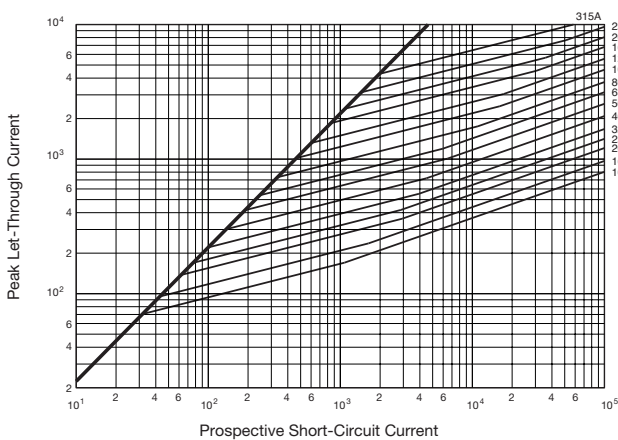


AS17E02 690V: 25-400A

Time-Current Curve



Peak Let-Through Curve



Peak Let-Through Curve

